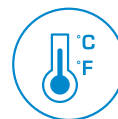


DATA SHEET

# Si-VH3

## Hotwire Thermo-anemometer



80 cm (31,5") telescopic rod with double graduation



Low consumption device



Backlit LCD screen



Magnetic backing for easy fixing + Carrying bag



Si-HVACR Measurement MobileApp



### Technical specifications

Parameters	Measuring units	Accuracy*	Measuring range	Resolution
Air velocity	m/s, km/h, fpm, mph	±(3% of value +0.1 m/s) from 0 to 3 m/s ±(3% of value +0.3 m/s) from 3 to 30 m/s ±(3% of value +19.7 fpm) from 0 to 590.6 fpm ±(3% of value +59.1 fpm) from 590.6 to 5905 fpm	From 0 to 30 m/s From 0 to 5905 fpm	0.01 m/s from 0 to 5 m/s 0.1 m/s from 5 to 30 m/s 0.1 fpm from 0 to 984.2 fpm 1 fpm from 984.2 to 5905 fpm
Airflow**	m <sup>3</sup> /h, m <sup>3</sup> /min, m <sup>3</sup> /s, cfm	-	From 0 to 9999 m <sup>3</sup> /h From 0 to 9999 m <sup>3</sup> /min From 0 to 9999 m <sup>3</sup> /s From 0 to 9999 cfm	1 m <sup>3</sup> /h 0.01 m <sup>3</sup> /min 0.001 m <sup>3</sup> /s 0.1 cfm
Temperature	°C, °F	±0.5 °C ±0.9 °F	From -10 to +60 °C From 14 to 140 °F	0.1 °C 0.1 °F

\*All the accuracies indicated in this technical datasheet were stated in laboratory conditions, and can be guaranteed for measurements carried out in the same conditions.  
 \*\*Calculated value, only available on the app. Air flow is calculated with the surface given by the user. Accuracy of the result will depend on surface accuracy given by the user.  
 Google Play and the Google Play logo are trademarks of Google LLC.  
 App Store is a service mark of Apple Inc.

## General features

Measuring element	Hotwire air velocity: heated NTC sensor Ambient temperature: NTC sensor
Display	Integrated 2-line LCD 7 segment monochrome display with backlight
Housing	ABS-PC and TPE, IP54
Hotwire probe material	Stainless steel
Keypad	1 ON/OFF & Backlight button 1 Hold/Min/Max/Live & Unit button
Standards & Directives	2011/65/EU RoHS II (EU)2015/863; 2012/19/EU WEEE; 2014/53/EU RED
Power supply	3 alkaline batteries LR03 AAA 1.5V
Battery life	20 hours* (without backlight and without wireless communication)
Wireless communication	Range frequency from 2402 MHz to 2480 MHz with a transmit power of 0 dBm. Range up to 15 m (98 ft), depending on smartphone radio strength. Minimum required versions: Android 5.0, iOS 12.4, BLE 4.0
Ambiance	Air and neutral gases
Operating conditions	From 0 to 50 °C (+32 to 122 °F). In non condensing conditions. Altitude: from 0 to 2000 m (6561').
Storage temperature	From -20 to +70 °C (-4 to 158 °F)
Auto shut-off	10 minutes (can be deactivated)
Weight (with batteries)	454 g (16 oz)

\*Battery life given at 20 °C (68 °F) with alkaline batteries

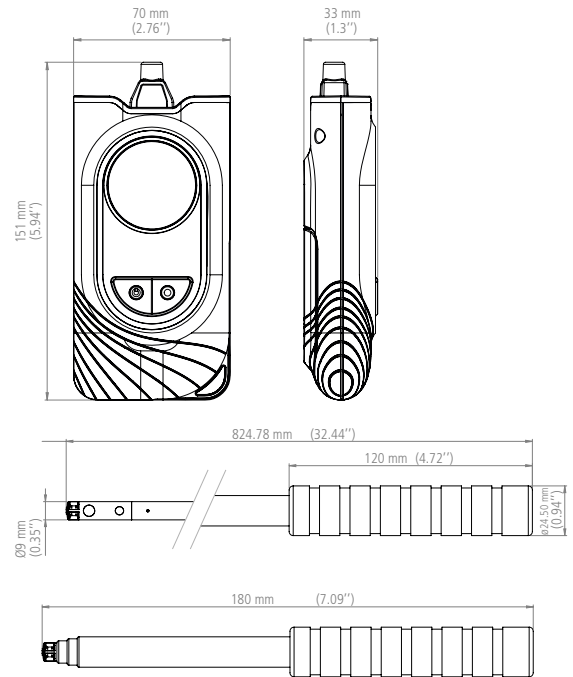
## Si-HVACR Measurement MobileApp

The Si-HVACR Measurement MobileApp allows to view and record measurements in real-time.

Main features:

- Easily view different parameters
- Browse saved measurements history and data graphs (average, min & max values, etc.)
- Create reports (PDF, CSV, or XML) and add up to four (4) photos

## Dimensions



## Kit content

- Certificate of conformity
- Quick Start Guide
- 3 alkaline batteries LR03 AAA 1.5V
- Carrying bag